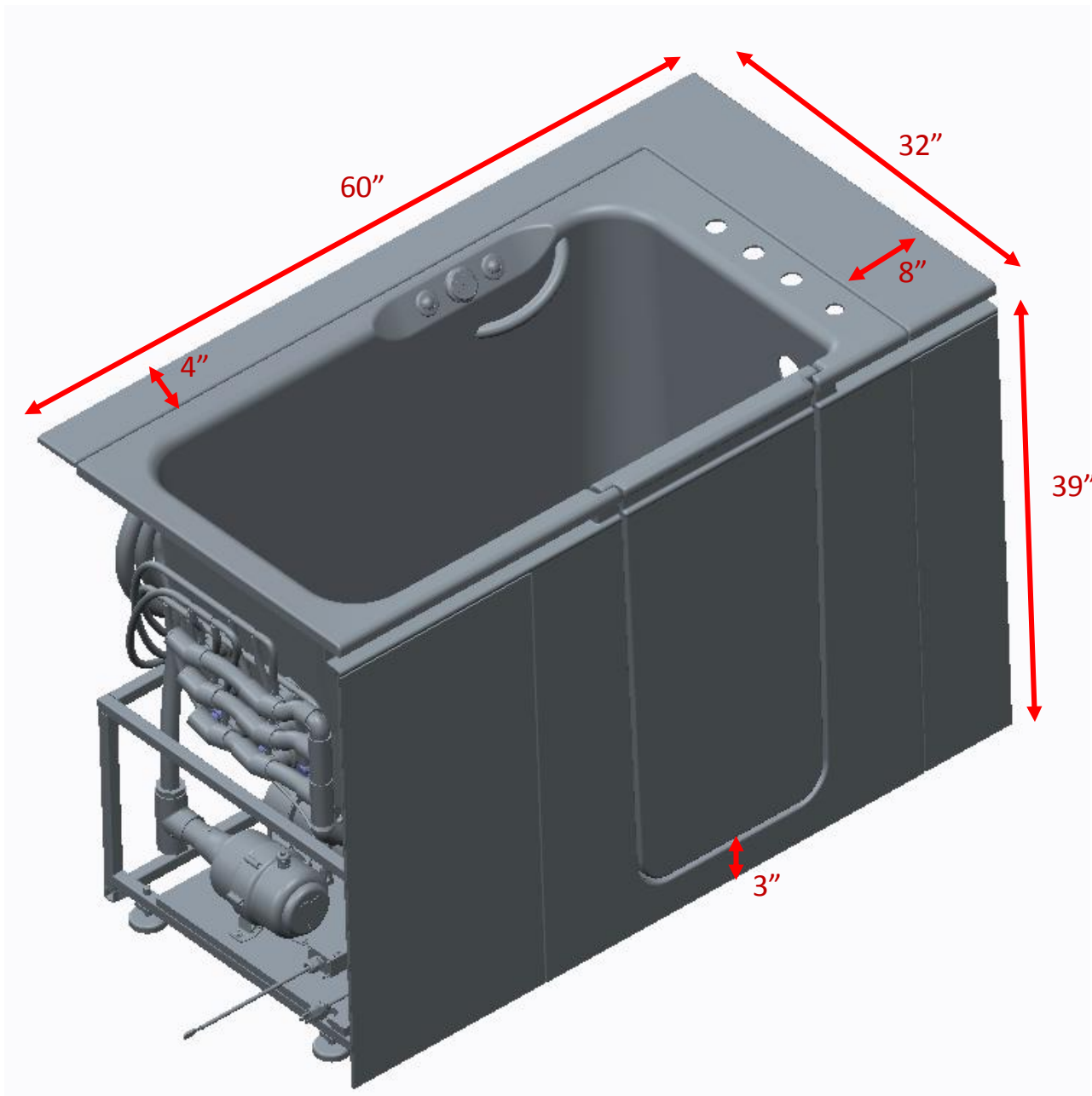
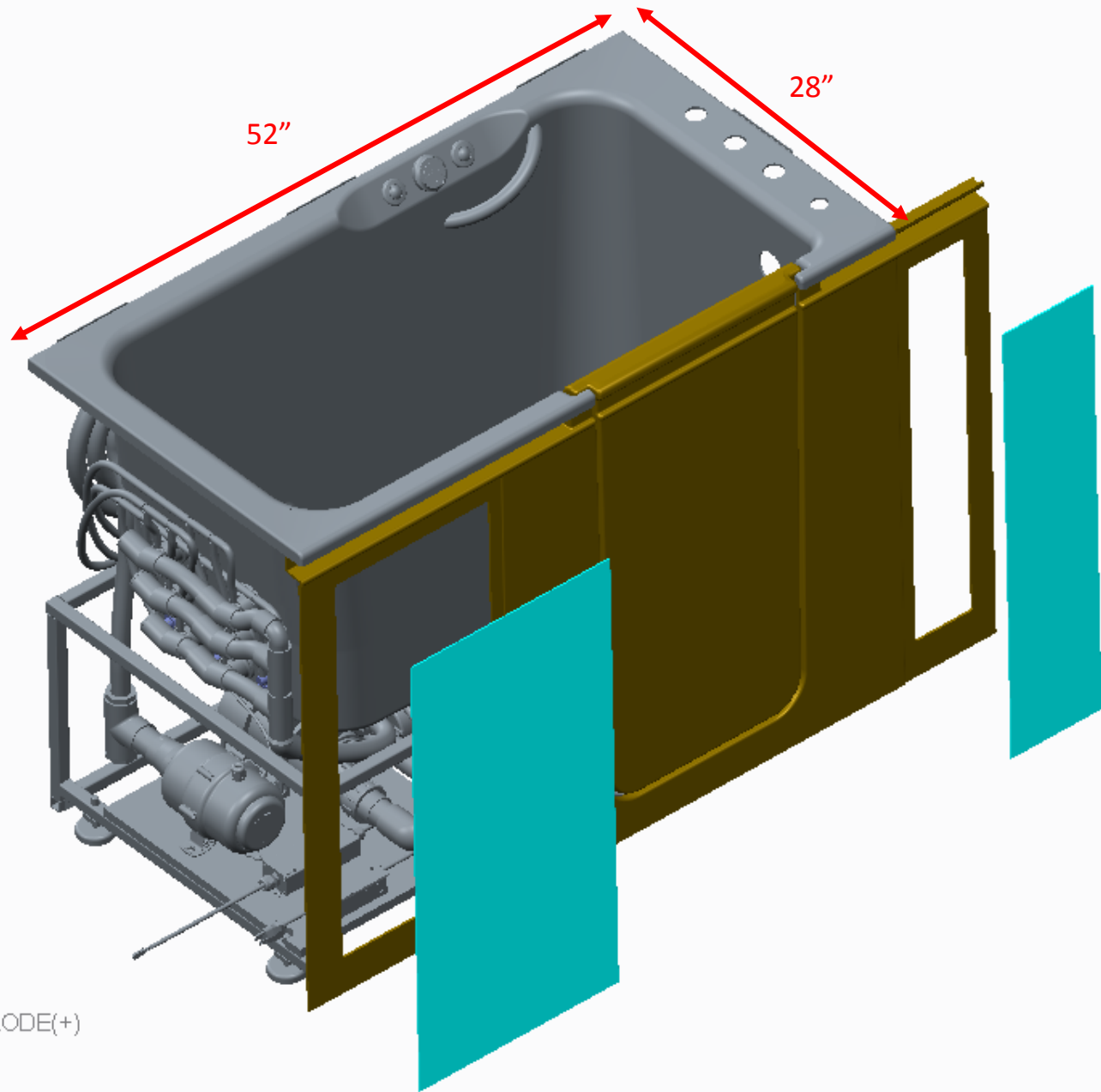


Product	Feature	Benefit
Kohler Walk-in Bath	3 " step-in height	Ensures ease of entering and exiting the bath – Lowest in the industry
	Wide opening air-tight door	For added ease of getting in and out of the tub
	Internally mounted grip rails	KOHLER grip rails mounted at optimum angular location for added support for moving in and out
	External Integrated handrails	Unique safety feature, designed by KOHLER Human Factors. Provides an assist in and out of the bath with a minimalistic, non-invasive aesthetic
	52" x 28" x 39" bath dimensions	Allows the bath to fit through standard 30" door opening
	31 ½ " Bathing depth (from bath floor to overflow)	Provides privacy for bather as well as the deepest soak in the market at 13.6" (Soak is from seat to overflow)
	17" Bath seat height	Slanted forward for ideal drainage - ideal height for Human Factors
	21 ½" Seat Width	
	Optimal hand shower location	KOHLER Awaken hand shower located at the outside of the bath for easy access by a caregiver
	KOHLER Forte faucets	All Hydrotherapy and soaker SKUs come with KOHLER Forte faucetry
	Included gap panels	To ensure fit for most alcove installations and are included with all bath and hydrotherapy SKUs
	Freestanding frame	Four leveling feet allow for quick installation
	One-SKU order	Streamlined ordering and specification process with included access panels, gap panels and required faucetry
	Faucet Finishes	Brushed Nickel & Polished Chrome
	Colors	White & Biscuit
Kohler Walk-in Hydrotherapy additional features	BubbleMassage™ air system	17 ports will envelop the bather with bubbles customizable with 3 settings, high speed, low speed, and back only
	Whirlpool jet system	10 jets offered on all hydrotherapies that are adjustable for both intensity and direction 4 Front Jets: 2 behind the calves and 2 in front of the legs – provide the option of a targeted massage when turned on (one speed) 6 Back Jets: targeted at back & spine
	Bask heated surface	Customizable 3-setting (high, medium & low) heated back & neck functionality to comfort user while bath is filling and draining
	Intentional user interface placement	Hydrotherapy controls located at the ideal position both functionally and aesthetically

*Additional Technical Specifications:*

1. Electrical Requirement: The KOHLER Walk-in Bath will need 2 dedicated 20amp each 120V circuits
2. Water Capacity: 85 gallons (with bather) / 66.7 gallons minimum (water level just above the highest jet to enjoy the experience)
3. The KOHLER Walk-in Bath comes with In-line heater to maintain water temperature through whirlpool jet





EXPLODE(+)

